



MEGA FORTRIS
G R O U P

INDICATIVE SEAL

MEGA PADLOCK (MEPAD)

Application Seal

Rounded locking mechanism and ample marking area for ease of operation.

Mega Padlock is designed with a rounded locking head that is user-friendly in sealing all kinds of locking latches because of its slim body, especially on roughly handled applications. The seal features a comparably large marking area on the coloured body for detailed identifiers, easy reading, and colour coding.

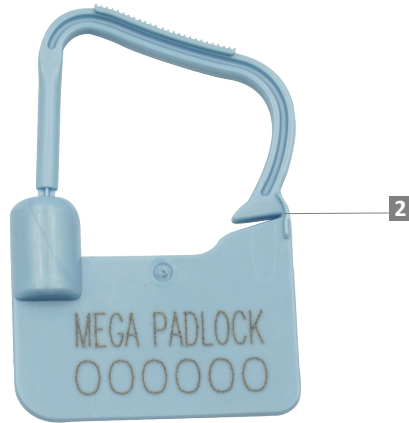
Applications:

- Authentication Tagging
- Aircraft Carts
- Retail Applications
- F&B Applications

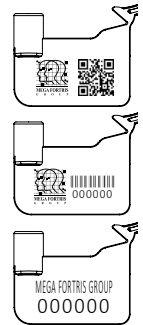


PREVENTION · PROTECTION · PEACE OF MIND





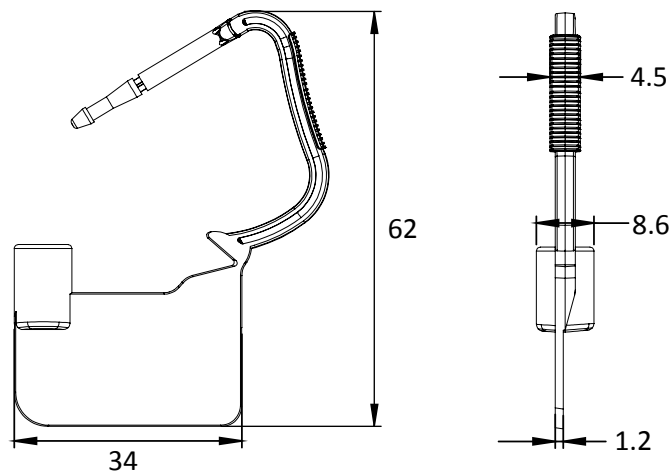
LASER MARKING OPTION



VIEW APPLICATION GIF



- 1 The Mega Padlock is moulded with high-impact PP plastic material to ensure light and durable quality for different applications and clear evidence of tampering.
- 2 One-way snap-on locking mechanism is embedded for fast and easy application, as well as quick tamper-evident removal at the noticeable breaking point.
- 3 Irreversible identifiers such as name, logo, barcode, serial number and QR code are laser-marked on the body.
- 4 Biodegradable additives for plastic material are available.



TECHNICAL SPECIFICATIONS

PRODUCT - MEGA PADLOCK (MEPAD)						
Code	Material	Locking Length	Locking Size	Tensile Strength	Marking Area	Max Marking Digits
MEPAD	Plastic : High-impact PP Copolymers Temperature Range: -20°C to 120°C	35 (1.4 in)	23 (0.9 in)	>6 kgf (>13 lbf)	34 x 20 mm (1.3 x 0.8 in)	Serial no : 10 Barcode : 9

PACKAGING					
Carton	Quantity	Dimensions (mm)	Gross Weight (kg)	Volume (m ³)	Standard Pastel Colours
Inner	1000	465 x 260 x 190 (18.3 x 10.2 x 7.5 in)	2.39 (5.3 lb)	0.023 (0.812 cu.ft)	Body : WH PSYL PSOR PSRD PSBL PSGN

For colour customisations, kindly contact us for further information.

Updated Date : 29 March 2022