



**MEGA FORTRIS**  
G R O U P

## INDICATIVE SEAL

# MEGA TWISTER BARCODE HORIZONTAL (MTW BH)

### Application Seal

#### *Fundamental and feasible piece for quick utility security.*

Mega Twister Barcode Horizontal is an improved Mega Twister Seal designed for cost efficiency without degrading the quality. It is an elementary utility seal designed with essential tamper-evident features. The seal has a transparent body for quick inspection of the twister insert sealing, where colour coded inserts and its ample identifier marking area eases operations. The seal is small in size and versatile for any securing and identifying purposes.

#### Applications:

- Utility Meters & Scales
- Chemical and Oil Refinery
- Transportation
- Banking



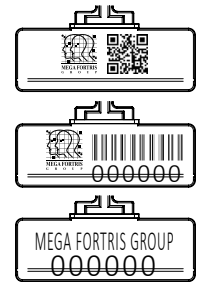
PREVENTION · PROTECTION · PEACE OF MIND



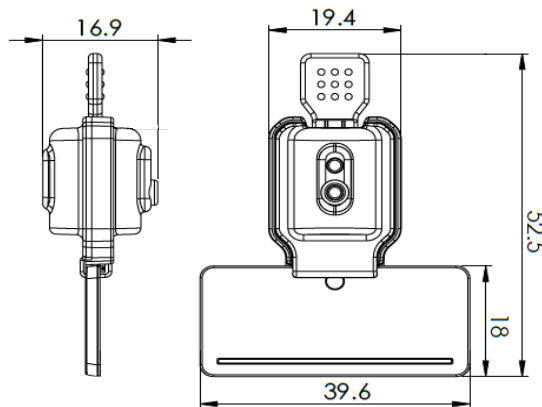


- 1 The Mega Twister is produced with a twister locking insert in a plastic transparent body for a clear view of the locking and evidence of tampering.
- 2 Two types of wires are available for various applications. With either the stainless steel (SS) coated wire or non-coated wire, the twister locking mechanism can achieve quick and tight securing of the seals.
- 3 A marking area flap is placed on the bottom for irreversible laser marking of identifiers such as name, logo, barcode, serial number and QR code.
- 4 Colour coding is possible with a combination of clear plastic body and our offered colour choices for the vibrant colour insert.
- 5 Biodegradable additives are available. Adding this material will turn the transparent seal body milky.

LASER MARKING OPTION



VIEW APPLICATION GIF



TECHNICAL SPECIFICATIONS

PRODUCT - MEGA TWISTER BARCODE HORIZONTAL (MTW BH)

Code	Material	Locking Length	Locking Size	Tensile Strength	Marking Area	Max Marking Digits
MTW BH	<b>Plastic body:</b> General Purpose Polystyrene (GPPS) Temperature range: -40°C to 85°C	250 mm (9.8 in)	Ø 0.8 mm (0.03 in)	>30 kgf (>66 lbf)	18 x 39.6 mm (0.71 x 1.56 in)	<b>Serial no : 13</b> <b>Barcode : 13</b>
	<b>Plastic insert:</b> Acetal Temperature range: -40°C to 120°C <b>Cable:</b> Plastic-coated Stainless Steel 304 (SUS 304)					

PACKAGING

Carton	Quantity	Dimensions (mm)	Gross Weight (kg)	Volume (m³)	Standard Colours
Inner	TBC	TBC	TBC	TBC	Body : <span style="border: 1px solid black; padding: 2px;">TRNS</span> Insert : <span style="border: 1px solid black; padding: 2px;">WH</span> <span style="border: 1px solid black; padding: 2px; background-color: yellow;">YL</span> <span style="border: 1px solid black; padding: 2px; background-color: orange;">OR</span> <span style="border: 1px solid black; padding: 2px; background-color: green;">GN</span> <span style="border: 1px solid black; padding: 2px; background-color: red;">RD</span> <span style="border: 1px solid black; padding: 2px; background-color: blue;">BL</span>

Updated Date : 29 March 2022