



MEGA FORTRIS
G R O U P

INDICATIVE SEAL

MINI FAST SEAL (MFS)

Pull-Tight Seal

Small and sophisticated design for comprehensive security and authentication.

Mini Fast Seal is easy to use, compact and perfect for small-sized sealing requirements. It is designed with a slim structure to mainly suit its smaller locking latches application. This delicately designed seal is suitable for security and authentication purposes with saving space in mind.

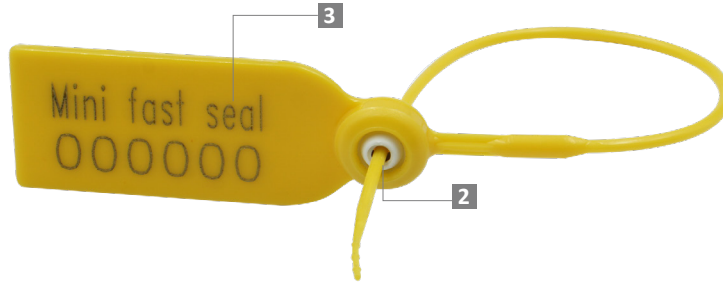
Applications:

- Retail Applications
- Fire Extinguishers
- Logistics
- Banking



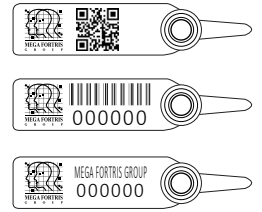
PREVENTION · PROTECTION · PEACE OF MIND



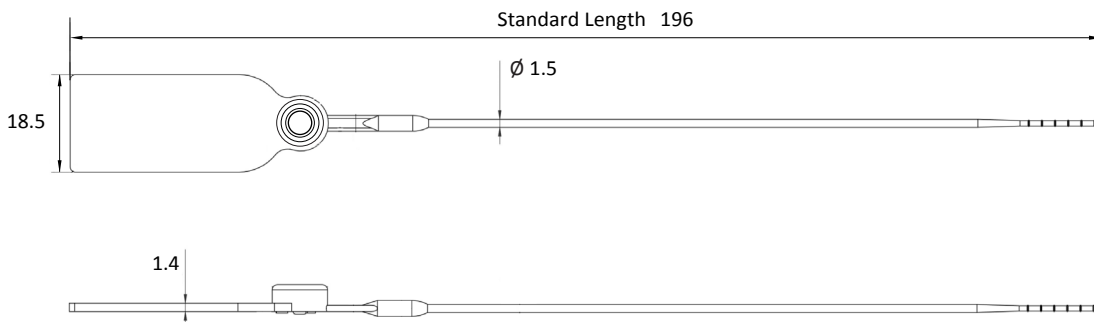


- 1 The Mini Fast Seal is moulded with Polypropylene (PP) or high-impact Nylon (NY) material with the metal lock ultrasonically encapsulated for greater security and clear evidence of tampering.
- 2 One-way locking mechanism is embedded for fast and easy application.
- 3 Irreversible identifiers such as name, logo, barcode, serial number and QR code are laser-marked on the flap.
- 4 Biodegradable additives material for the seal are available.

LASER MARKING OPTION



VIEW APPLICATION GIF



TECHNICAL SPECIFICATIONS

PRODUCT - MINI FAST SEAL (MFS)

| Code | Material | Locking Length | Locking Size | Tensile Strength | Marking Area | Max Marking Digits |
|------|--|------------------|----------------------|--|------------------------------|--------------------------------|
| MFS | Plastic : Polypropylene (PP) <i>Temperature Range:</i> -5°C to 80°C High-impact Nylon (NY) <i>Temperature Range:</i> -25°C to 80°C Metal Jaw : Stainless Steel (SUS 304) | 129 mm (5 in) | ∅ 1.5 mm (0.1 in) | PP: ≥8 kgf (≥17.6 lbf) NY: ≥9 kgf (≥19.8 lbf) | 14 x 32 mm (0.6 x 1.3 in) | Serial no : 10 Barcode : 10 |

PACKAGING

| Carton | Quantity | Dimensions (mm) | Gross Weight (kg) | Volume (m ³) | Standard Pastel / Solid Colours |
|--------|----------|--|-------------------------------|--------------------------|---|
| Inner | 1000 | 255 x 205 x 145 (10.0 x 8.1 x 5.7 in) | 1.96 - 1.98 (4.3 - 4.4 lb) | 0.008 (0.3 cu.ft.) | Polypropylene : Body : WH PSYL PSOR PSRD PSBL PSGN Cap : TRNS WH MILKY (BIO) |

Nylon :

Body : WH B YL G RD

Cap : TRNS WH MILKY (BIO)

For colour customisations, kindly contact us for further information.

Updated Date : 29 March 2022